

Key Features



- Intel Core i5/i7 FANLESS Medical Box PC
- Intel 6th gen. skylake Core i5 35W CPU
- True Fanless with proprietary thermal design
- Medical UL/EN 60601-1 4th edition certification
- CE, FCC, VCCI Class B passed
- Rich 6x COM ports for control applications
- Support Intel Vpro technology by CPU
- PCI-E {x16} expansion slot x 1



Main System

- CPU** LGA1151 package 6th generation Intel® Core i7/i5/i3/Pentium processor (35W max.)
- Chipset** Intel® Q170 Chipset (Intel® GL82Q170 PCH)
- Graphic** Intel® integrated HD Graphics 530
- Memory** Two 2133 MHz DDR4 SODIMM socket support dual Channel, non-ECC, up to 32GB

Storage & Expansion

- SSD** 2.5" SATA SSD drive bay x 1
- Expansion slot**
- PCI-E x 16 expansion slot x 1 (30W max, can't co-exist with isolated module) (110mm (W) x 169mm (D) x 19mm(H))
 - Mini PCIe x 2 (52 pin card-edge type)

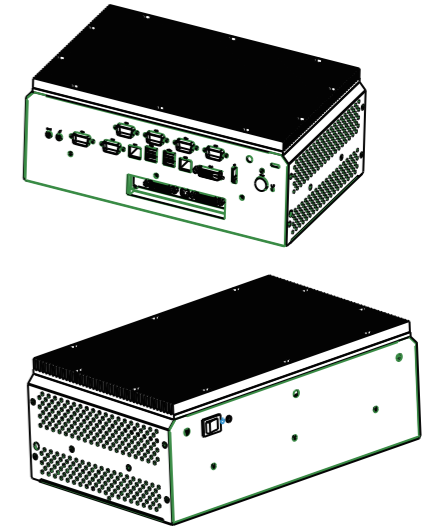
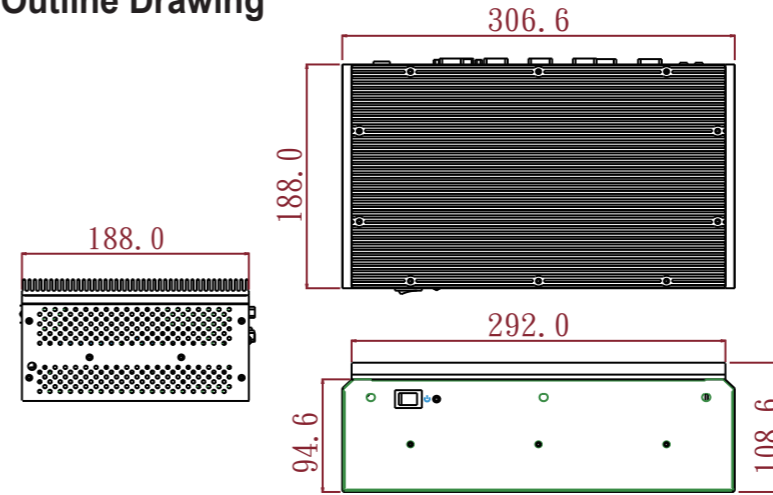
Mechanical & Environmental

- Housing** Aluminum heatsink and SECC with black coating
- Cooling** Fanless
- Dimension** 306.6 x 188 x 108.6 mm (W x H x D, Standard type)
- Weight (net)** 4.9 Kg (approximate, w/o power adaptor)
- Temperature**
- Operating : 0~35°C (Standard)
 - Storage : -20°C~60°C
- Humidity** Operating & storage : 10%~90%, non-condensing

I/O & Power & Control Keys

- USB** USB 3.0 x 4
- COM** RS232 x 5, RS232/422/485 x 1 <w/ auto flow control>
- Video output** DP x 1 + DVI x 1
- LAN** RJ-45 x 2 ,Gigabit
- Power input** DC-in x 1, 9V~28V
- Power adaptor** AC input 90 ~ 264V / 47 ~ 63 Hz / DC output 12V, 100W, 1.2m DC cable (Medical Grade)
- Power consumption** TBD watts (Typical, without any add-ons)
- Control keys** Power on/off, reset
- Regulatory**
- FCC/CE/VCCI Class B
 - cULus Mark/UL60601-1
 - EN60601-1 approved / ISO 14971 / IEC-62133
 - Energy star 6.1 compliance (Contact with Wincomm sales for detail)

Outline Drawing

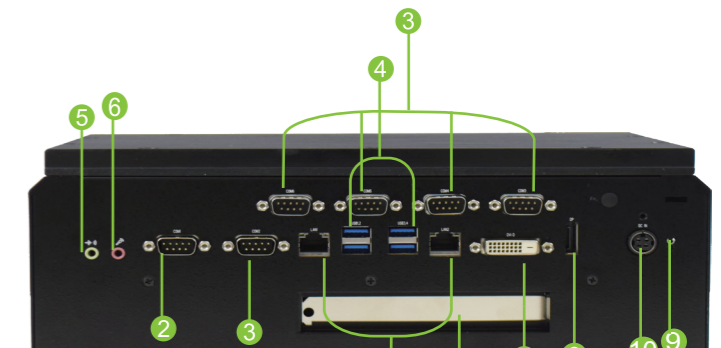


Options

- 802.11 a/b/g/n WLAN + BT4.1 module (M.2 via Mini PCIe adapter with two antenna)
- Equipotential terminal pin
- TPM 1.2 module
- mSATA module
- PCI-E x 16 riser card (Support 35W max.)
- Battery pack
- 2nd 2.5" SSD

Customization

- Extra USB Ports 5,6,7,8...10
- Isolated 4KV module :USB2.0 x1 ,Giga LAN x1, COM x2 (configure of order service, located at PCI-e slot area, PCI-Ex16 card cannot be installed)
- DVD player (At side, 2nd 2.5" SSD is not workable)



- 1 LAN x 2
- 2 RS232/422/485
- 3 RS232 x 5
- 4 USB x 4 (USB 3.0)
- 5 Line out
- 6 Microphone-in
- 7 DVI-I
- 8 DP x 1
- 9 Reset
- 10 DC-in
- 11 PCI-E {x16} slot

Ordering Information

WPC-766E (i5)	FANLESS	Core i5-6500TE / DDR4 4G RAM / 64G SSD
WPC-766E (i7)	FANLESS	Core i7-6700TE / DDR4 4G RAM / 64G SSD

