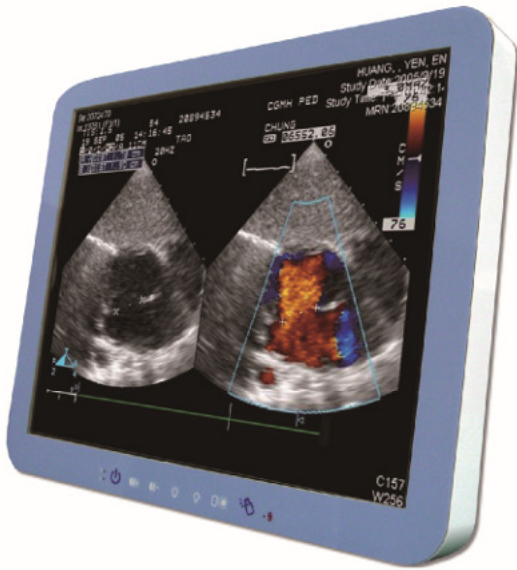


WMP-191/192

19" Intel Core 2 Duo High Performance Medical Panel PC



Features

- Full flat touch screen
- Seamless on the front and outer edge of the back
- Easy wipe surfaces with no internal corners.
- IP54 at front side, IPX1 for whole system
- 19" True Color Diagnostic Panel
- High Performance Intel Core 2 Duo Mobile Processor
- Supports PCI Expansion
- HDD Anti-vibration mechanism
- Anti-bacteria (MRSA) plastic housing
- Fanless Design (WMP-192)
- Low noise smart fan solution (WMP-191)
- A+DVB-T TV tuner + Capture card (Option)
- 802.11 a/b/g/n Wireless module with internal antenna (Option)
- RoHS compliance

System

CPU	Intel® Core™ 2 Duo T7500 2.2G (WMP-191-T) Intel® Celeron™ M550 2.0G (WMP-191-C) Intel® Core™ 2 Duo U7500 1.06G (WMP-192-U)
FSB	533MHz / 800MHz
Chipset	Intel® GME965+ ICH8M
BIOS	Award
VGA	Intel® GME965 Integrated VGA (X3100)
Audio	Realtek ALC286 Audio Codec, 2+2 watts power amplifier
LAN	Realtek RTL8111B Gigabit Ethernet x 2
Memory	Two 667/800 MHz DDR2 SODIMM socket support dual Channel non-ECC, up to 4GB
I/O	Intel® ICH8M
Serial ATA	SATA, 150 MB/s transfer rate x 1
Serial Port	RS232 x 2 / RS232, 422, 485 x 1
USB	6 USB 2.0 ports (4 ports in the rear I/O region, 2 ports with on-board pin headers)
WDT	Generates system reset; 256 segments

Expansion

PCI	PCI expansion slot x 1 (Support Wincomm approved part only)
Mini-PCIe	52-pin Card-edge type x 1

External I/O

VGA	DB-15 x 1
DVI	DVI-D x 1
Audio Jack	3.5mm phone jack connector x 3 (Line-in, Line-out, and Mic-in)
USB	USB 2.0 x 4
COM	DB-9 x 3
LAN	RJ45 x2 for Gigabit Ethernet
Switch	Reset key at bottom
Speaker	2W x 2
Front Bezel	LED Indicator/ Hot Key (Power Button/ Audio adjustment +/- / Brightness +/- LCD on/off // Clean me)

LCD Panel

Panel	19", 1280 x 1024, 450 nits
Touch	Full Plat resistive touch, 5 wire

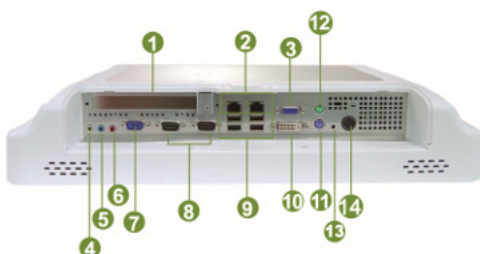
Storage

HDD	2.5" SATA HDD drive bay x 1
------------	-----------------------------

Mechanical & Environmental

Power Input	DC12V
Power Adapter	AC 90 ~ 264V / 47 ~ 63 Hz / DC output 12V
Operation Temperature	0~40°C
Operation Relative Humidity	10%~90%, non-condensing
Dimension	440.5 x 369.8 x 83 mm (W x H x D)
Weight	7.5kg (w/o power adapter)
Mounting	VESA Mount 75/100mm
Regulations	cUL 60601-1, FCC/VCCI class B EN 60601-1 / EN60601-1-2 Fanless (WMP-192) Under 30db (WMP-191)
Noise Level	

IP54 at front side //IPX1 whole system

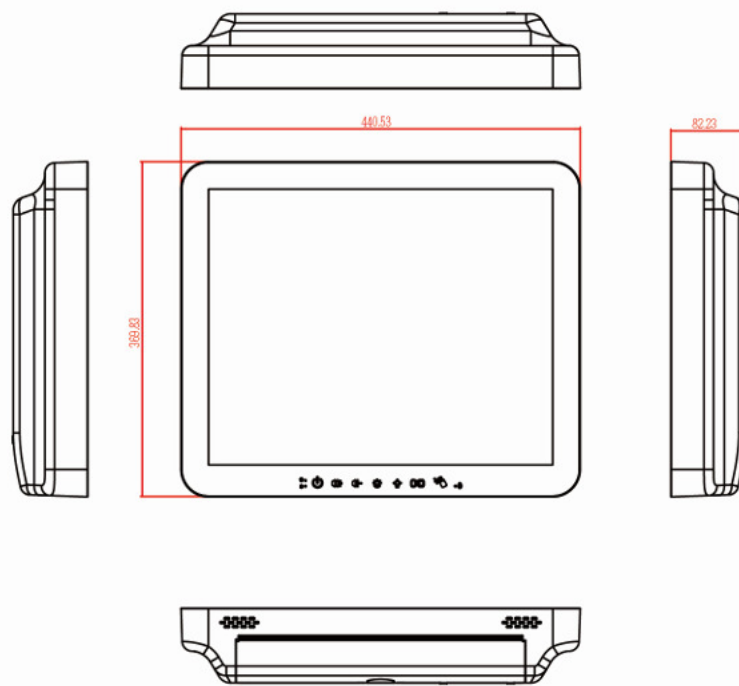


- | | |
|---------------------|----------------|
| 1 PCI | 8 RS232 x 2 |
| 2 Giga LAN x 2 | 9 USB x 4 |
| 3 VGA | 10 DVI-D |
| 4 Line-out | 11 Keyboard |
| 5 Line-in | 12 Mouse |
| 6 Mic-in | 13 Reset |
| 7 RS232 / 422 / 485 | 14 Power DC-in |
| | 15 I/O cover |

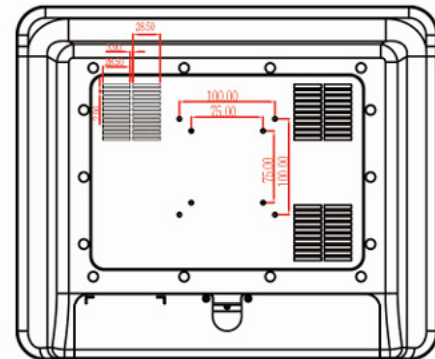
WMP-191/192

19" Intel Core 2 Duo High Performance Medical Panel PC

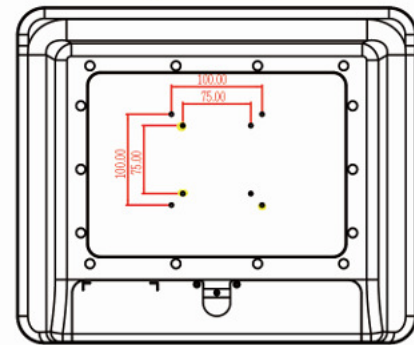
Drawing



WMP-191



WMP-192



WMP-191



WMP-192

Optional

- Mini PCIe 11 a/b/g/n WLAN module
- TV tuner w/ capture card, PCI, D+A signal (Digital: DVB-T, Analog: NTSC/PAL/SECAM)
- WMP Stand, VESA 75/100, white, L type, Anti bacteria

Ordering Information

1. WMP-191-TR0A0; T7500 2.2G, DDR2 1G, SATA 160G
2. WMP-191-CR0A0; Celeron 550 2.0G, DDR2 1G, SATA 160G
3. WMP-192-UR0A0; U7500 1.06G, DDR2 1G, SATA 160G



Wincomm Corporation

3F, NO. 14, Prosperity Road II, Science-Based Industrial Park,
Hsinchu, Taiwan 30078, R.O.C
Tel: +886 3 578 0000 Fax: +886 3 578 0295

Web: www.wincomm.com.tw

Contact: sales_support@wincomm.com.tw