

WMP-24S



Medical AI Panel PC

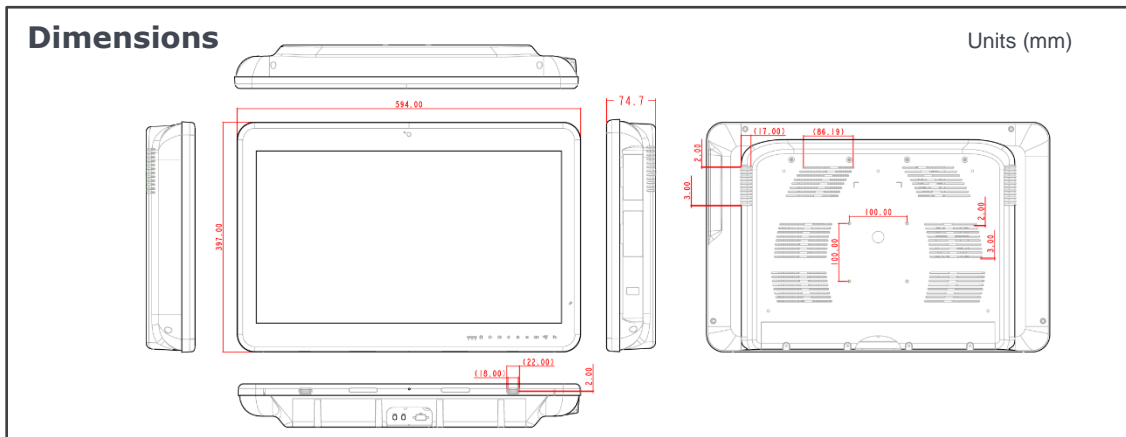


Features

- Anti-Bacteria (MRSA) Plastic Housing
- 23.8" Full HD (1920 x 1080) MVA Diagnostic Panel
- High performance intel 12th /13th/14th generation Core i CPU
- Supports Dual Channel DDR5 up to 96GB
- P.cap Multi-touch screen (10 fingers)
- Optional Independent Nvidia A4500 graphic with 16GB dedicated video memory
- Video in port with RGB Color adjustment function

Specification

Model	WMP 24S IP0A (STD)	WMP 24S IP0B (ISO)
Main System		
CPU / Chipset	LGA1700 package 12th /13th /14th generation Intel® Core i7/i5/i3/Pentium/Celeron processor (35W max.) / Intel® Q670E Chipset	
Graphic	Intel® integrated UHD Graphics 770 by CPU	
RAM	Two 5600 MHz DDR5 SODIMM socket support dual Channel, non-ECC, up to 96GB	
OS Support	Windows 10 IoT LTSC 2021 (64bit) / Windows 11 IoT GAC (64bit)	
Storage	M.2 M.Key 2280 PCIe X 4 SSD (Support NVMe SSD up to 1TB) M.2 B/M Key, (2280) with PCIe x1 PCIe/SATA/USB	
Expansion	M.2 E key 2230 x 1, M.2 B/M Key, (2280) with PCIe x1 PCIe/SATA/USB PCI-E x 4 expansion slot x 1 (40W max)	
Display Size	23.8" LED Backlight	
Display	1920 x 1080 (Full HD), 16.7M colors, 178(H) / 178(V), 250 nits (Typ.), CR: 3000 : 1 (Typ)	
Touch Screen	Projected Capacitive Multi-Touch Panel (10 fingers) / Light Transmission: ≥ 85% / Hardness: ≥ 7H pencil, pressure 765g/45° / Life: 50000	
I.O. Ports		
USB	4 x USB 3.2 Gen II (Type A) 1 x USB 3.2 II (Type C, Support DP 1.4a display output; 5V/3A power output)	4 x USB 3.2 Gen II (Type A) 1 x USB 3.2 II (Type C, Support DP 1.4a display output; 5V/3A power output)
COM	1 x RS232/RS422/RS485, 1 x RS232	1 x ISO RS232/RS422/RS485
LAN	1 x Intel® I219LM with 10/100/1000 Mbps, support AMT / vPro 1 x Intel® I226V with 10/100/1000/2500 Mbps	1 x Intel® I219LM with 10/100/1000 Mbps, support AMT / vPro 1 x Intel® I226V with 10/100/1000/2500 Mbps, 1 x ISO RJ45
Audio / Video	3.5mm phone jack connector * 2 (Line-out, Mic-In) DP 1.4a/DP++ x1, HDMI 2.0b x 1, HDMI-in x 1 (Without Audio)	
Hot Key (R to L)	Power Button// Audio adjustment // brightness // Reading Light // LCD on/off // Clean me // Programming Function Key	
Mechanical and Environmental		
Cooling	Fan	
Power Input	DC 14~19V input	
Power Adapter	AC input 100 ~240V / 47 ~ 63 Hz / DC output 19V / 250W (MPU250A-107 W/PSE)	
Temperature	Operating Temperature: 0~40°C (IEC60068-2-78) Storage Temperature: -20~60°C	
Humidity	Operating & Storage: 10 ~ 90%, non-condensing	
IP Rating / Housing	IP65 (Front Side), IPX1 for whole system / Plastic White w/Anti-bacteria (MRSA)	
Dimensions (Net)	594.0mm (H) x 397.0mm (V) x 74.7mm (T)	
Weights (Net)	9 kg (w/o power adapter)	
Mounting	Optional Stand, VESA 100	
Certification (All regulation with CPU i7-13700TE and Nvidia A4500 graphic MXM module)	CE: EN 60601-1-2:2015(V4.1), EN 60601-1:2006 + A11: 2011 + A1: 2013 + A12: 2014 Compliance VCCI: 2016-11, Class B (PSU with PSE) / FCC: Part 18 Class B UL: ANSI/AAMI ES60601-1:2012 (V3.2) (By project) cUL: CAN/CSA-C22.2 No. 60601-1:2014 (V3.2) (By project) ISO 14971 / IEC62133	



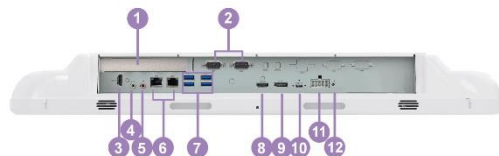
Major Options

Options	<ol style="list-style-type: none"> 802.11 ac/a/b/g/n WLAN + Bluetooth module or Wifi 6 Auto focus 5M pixel webcam module RFID (13.56MHz) with single sign on function TPM 2.0 module PCIe x 4 riser card Full HD capture card & 4K SC710N1 M2 12G SDI capture card / SC710N1-L HDMI2.0 Battery pack (100W max) (DR-202 series) (100min battery life by PCmark 8 test condition) Equipotential terminal pin AG film (Can't co-exist with DICOM) USB 2.0 (Type A) x 2 at side Smart card reader at side or CAC / PIV Reader (FIPS-201) USB 2.0 x 2 (USB 5,6) RS-232 x 2 (COM 3,4) for standard configuration DICOM part 14 compliance module Max. Error Ratio less than 20% (optional order configuration) Independent Nvidia MXM A4500/A2000/A1000 graphic GPIO capture card control solution
Accessory	<ol style="list-style-type: none"> Cable clean IO cover WMP series stand, VESA 100
Customization	<ol style="list-style-type: none"> Tempered glass

Order Information

Item	Configuration
WMP-24S-IP0A-i5	Core i5-13500TE 1.30GHz / DDR5 8G RAM / M.2 128G SSD / Full flat P.cap touch / STD (Support vPro® Enterprise)
WMP-24S-IP0A-i7	Core i7-13700TE 1.10GHz / DDR5 8G RAM / M.2 128G SSD / Full flat P.cap touch / STD (Support vPro® Enterprise)
WMP-24S-IP0B-i5	Core i5-13500TE 1.30GHz / DDR5 8G RAM / M.2 128G SSD / Full flat P.cap touch / ISO (Support vPro® Enterprise)

I/O port (standard)



- 1 PCI-E expansion
- 2 COM x 2
- 3 Video-in x1
- 4 Line-out
- 5 Microphone-in
- 6 LAN x 2
- 7 USB3.2 gen II x 4
- 8 HDMI out x 1
- 9 DP out x 1
- 10 Type C DP x 1
- 11 DC-in
- 12 Reset

