

# WLP-6821-10

## 10.4" VIA C7 Fanless & Ultra Slim Panel PC



### Features

- True Fanless Thermal Solution
- VIA C7 1.0G (standard, up to 1.5G) CPU
- IP65 / NEMA4 Water / Dust Proof on Front & Rear Bezel
- LAN / CF / Audio / USB2.0 / Mini-PCI interfaces
- Resistive / Capacitive / IR and SAW touch screens are optional
- Anti-vibration HDD



### System

<b>CPU</b>	Onboard VIA C7 1.0 GHz (9W) (up to C7 1.5GHz, 12 W)
<b>Chipset</b>	VIA CN700 + VT8237R plus
<b>BIOS</b>	AMI BIOS Support ACPI Function with PXE function
<b>Cache</b>	Level-1 128K / Level-2 128K (CPU integrated)
<b>VGA</b>	VIA CN700 built-in AGP 8X graphics, shared system memory up to 64MB
<b>Audio</b>	AC97 Audio Codec, 2+2 watts power amplifier
<b>LAN</b>	VT6103 10/100Base-Tx Fast Ethernet PHY, support WOL/PXE function
<b>Memory</b>	1 x DDR2 533 SODIMM socket supports up to 1GB memory
<b>I/O</b>	VIA VT8237R plus
<b>IDE</b>	UDMA 133 IDE interface x 2 Serial ATA interface x 1
<b>GPIO</b>	4-bit input, 4-bit output
<b>WDT</b>	1~255 minutes, software programmable

### LCD Panel

Size	10.4"	10.4"
<b>Resolution (pixel)</b>	SVGA (800 x 600)	SVGA (800 x 600)
<b>Active Area (mm)</b>	211.2 x 158.4	211.2 x 158.4
<b>Pixel Pitch (mm)</b>	0.264	0.264
<b>Number Of Colors</b>	16.7M/262k	16.7M/262k
<b>Viewing Angle (H/V)</b>	140 / 120	140 / 120
<b>Brightness (cd/m<sup>2</sup>)</b>	230	400
<b>Contrast Ratio</b>	500:1	500:1
<b>Response Time(ms)</b>	30	35
<b>Backlight</b>	2 CCFL	2 CCFL

### Touch Panel

Characteristics	Resistive	Capacitive	Infrared touch (IR)	Surface wave(SAW)
<b>Touch Resolution</b>	4096x4096	4096x4096	4096x4096	4096x4096
<b>Stylus use possible beyond finger</b>	No Limitation, can use any stylus	Need special conductive stylus	No limitation, can use any stylus	Soft pliable stylus, like pencil eraser
<b>Glove use possible</b>	Any type glove	Only very thin latex glove	Any type glove	Any type glove
<b>Light transmittance</b>	80±3%	90% above	100%	92% above
<b>Hardness</b>	3H	7 Mohs		7 Mohs
<b>Accuracy</b>	98.50%	99%		
<b>Response time</b>	20 ms	3 ms		
<b>Touch screen Life</b>	8 wire 2 million touches 5 wire 35 million touches	Specified to over 200 million touches Coatings can wear	Large number of photo diodes and photo transistors effect long-term reliability. Specified to over 500 million touches Coatings can wear	

### Storage

**HDD** Internal 2.5" HDD drive bay x 1

### Expansion

**Mini-PCI** 32-bit Mini-PCI socket (support 802.11b/g and DVB modules) x 1

**CF** Bootable Compact Flash slot for CF type I/II storages x 1

### External I/O

**USB** USB 2.0 x 4

**COM** DB-9 x 3 (RS-232 x 2, RS-232/422/485 x 1)

**LAN** RJ-45 x 1

**KB/Mouse** PS/2 Keyboard & Mouse x 1

**Audio** Line-in, Line-out, and Mic-in audio jacks

**Power** DC-In connector x 1

**Switch** ATX power switch & RESET switch

### Mechanical & Environmental

**Power Input** DC 12V ~ 28V

**Power Adaptor** AC 90 ~ 264V / 47 ~ 63 Hz

**Operating Temperature** 0~40°C (fanless)  
0~50°C (for CF/DOM/Wide temperture HDD storage)

**Storage Temperature** -20~80°C

**Relative Humidity** 10%~90%, non-condensing

**Dimension** 313(W) x 240(H) x 48.5(D) mm (Resistive type)  
313(W) x 240(H) x 51.3 (D) mm (Capacitive type)

**Weight** 3.5 Kg (Resistive / Capacitive type)

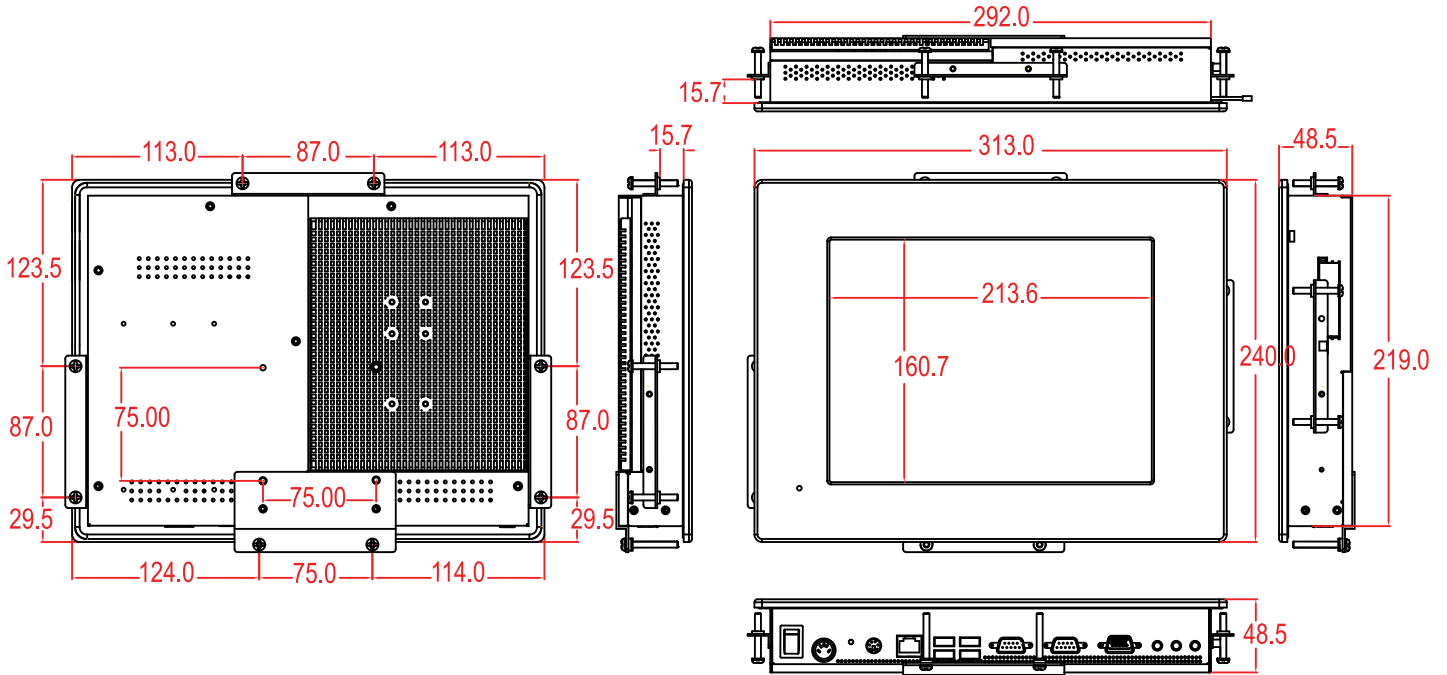
**Regulations** FCC-A, CE, VCCI, UL/cUL, CCC

# WLP-6821-10

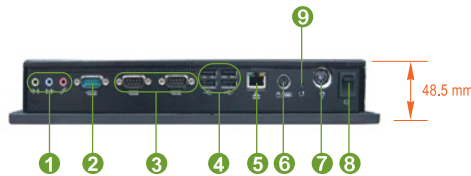
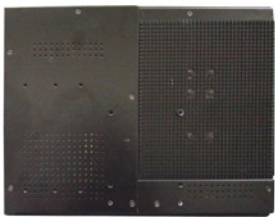
10.4" VIA C7 Fanless & Ultra Slim Panel PC

## Drawing

-10.4" Resistive Type



## Fully-integrated I/O



- 1 Audio
- 2 COM(RS-232/422/485)
- 3 COM(RS-232)
- 4 USB
- 5 LAN
- 6 PS2 K/B & Mouse
- 7 DC Power jack
- 8 Power switch
- 9 Power reset

## Ordering Information

1. WLP-6821-10-**1234**-C7 1.0G-512-160GB
2. WLP-6821-10-**1234**-C7 1.5G-512-160GB

**1** B: Panel Mount type  
N/A: Open frame type

**2** K: Black color bezel  
S: Silver color bezel

**3** R: Resistive touch  
C: Capacitive touch  
I: IR touch

**4** T: with touch screen  
N/A: without touch screen

IR and SAW touch screen are also available



**Wincomm Corporation**

3F, NO. 14, Prosperity Road II, Science-Based Industrial Park,  
Hsinchu, Taiwan 30078, R.O.C

Tel : +886 3 578 0000 Fax: +886 3 578 0295

Web: [www.wincomm.com.tw](http://www.wincomm.com.tw)

Contact: [sales\\_support@wincomm.com.tw](mailto:sales_support@wincomm.com.tw)