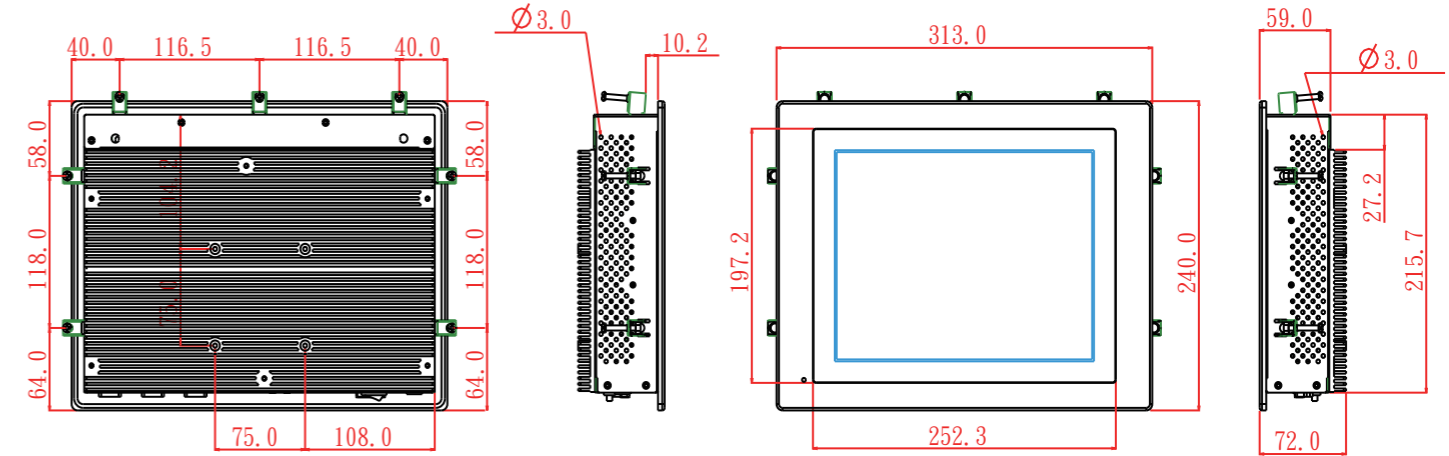


Key Features

- 10" Intel Baytrail Fanless High brightness Panel PC
- Intel Quad Core E3845 Wide Temp. CPU
- 10" 1000nits sunlight readable LCD
- Wide Temp. -20~65°C operation capability
- Special thermal module & MB pre-heating design
- Front full flat Resistive touch
- IP66 in front water/dust proof bezel
- CE, FCC, VCCI Class B passed



Outline Drawing



Main System

CPU	Intel® Atom E3845 processor 10W
Graphics	Intel® HD Graphics
Memory	Wide temp, Dual Channel, two DDR3 SODIMM socket support up to 8GB DDR3L-1333

I/O & Power & Control Keys

USB	USB 2.0 x 3, USB 3.0 x 1
COM	DB-9 x 3 {RS232 x 2, RS232/422/485 x 1 (Set by BIOS, RS485 auto flow)}
Audio	Line-out, Microphone-in (3.5 mm phone-jack)
LAN	RJ-45 x 2, Gigabit
Power input	DC-in x 1, 7V~32V
Power adaptor	AC 90 ~ 264V / 47 ~ 63 Hz / DC output 12V, 57W
Power consumption	28.294 W (MAX. Loading without adapter)
Control keys	Power on/off, reset

LCD Panel

Size	10" 4:3
Brightness	1000 nits
Resolution	SVGA (800x600)
Color numbers	262K, LVDS 6 bits
Viewing angle	R/L 130(Typ.), U/D 120(Typ)
Contrast	400:1

Touch Panel

Type	Full Flat Resistive touch, 5-wire
Light transmission	80±5%
Hardness	4H
Life time	35 million times

Storage & Expansion

SSD	WT 128GB 2.5" SATA SSD 3MG2-P x 1
Expansion slot	Mini PCIe x 2

Mechanical & Environmental

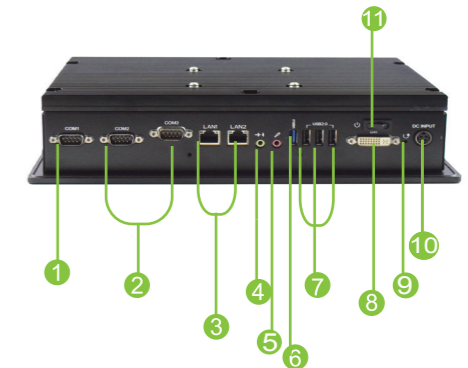
Housing	Front bezel is Aluminum, others are SECC
IP rating	Front IP66
Cooling	Fanless
Dimension	313 x 240 x 72 mm (W x H x D, panel mount)
Weight (net)	3.9 Kg (approximate, w/o power adaptor)
Temperature	Operating : 12V DC Input -20~65°C Storage : -20~65°C
Humidity	Operating & storage – 10%~90%, non-condensing
Regulatory	FCC, CE (EMC), VCCI Class B

Options

- Wireless or Wireless + BT kit (2 ant)
- Lock touch screen
- VGA output independent display (Dungle)
- Silver front bezel
- Stainless front bezel

Customization

- Sunlight readable optical bonding
- Storage door solution
- LCD Auto dimming
- LCD Super dimming (Low brightness)
- Change resistive touch to P-cap touch



- | | |
|-----------------|-----------------|
| 1 RS232/422/485 | 7 USB 2.0 x 3 |
| 2 RS232 x 2 | 8 DVI-I output |
| 3 LAN x 2 | 9 Reset |
| 4 Line out | 10 DC-in |
| 5 Microphone-in | 11 Power on/off |
| 6 USB 3.0 | |



Ordering Information

WLP-7B20-10H	R-Touch	Atom E3845/ Wide Temp. 2G RAM/ Wide temp. 128G SSD
--------------	---------	--